



31 October 2018

ROYAL THEATRE – LETTER-SIZED PDF DRAWINGS

This document contains miscellaneous drawings of the Royal Theatre, formatted to print on letter-sized paper (either 8.5”x11” or ISO A4). They are intended to be a convenient alternative to the theatre’s CAD files and large-format PDF drawings.

Do not scale these drawings. Instead, please use the dimensions indicated, or refer to the theatre’s ‘technical specifications’ document and CAD drawings as needed.

Complete technical information, including CAD and PDF drawings, is available at:

<http://www.rmts.bc.ca/rental-information/royal-theatre-technical-info>

The documents on this webpage (including this one) get updated from time to time, so please check to make sure you have the most current versions.

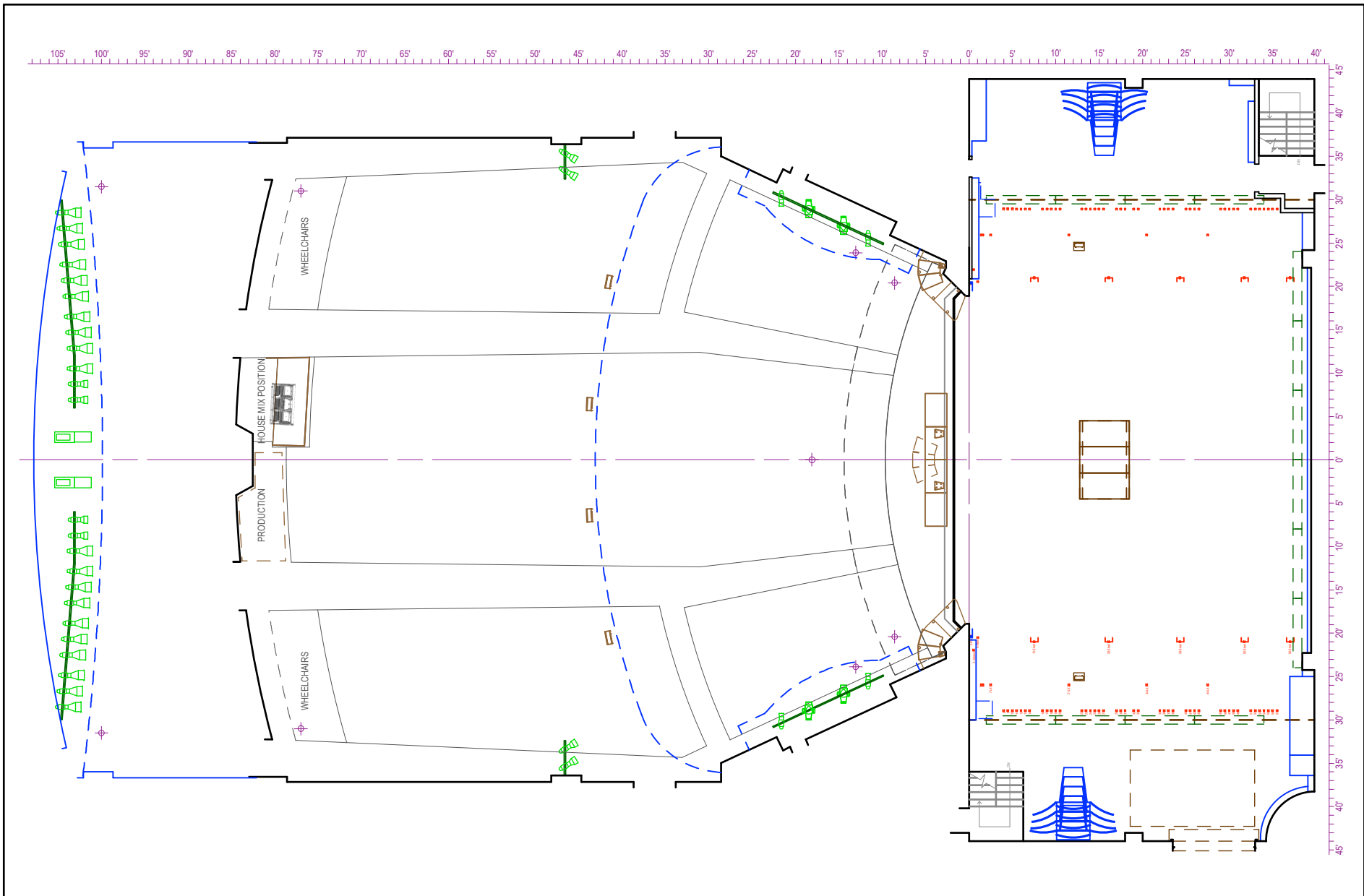
The main website for the Royal and McPherson Theatres Society is: <http://www.rmts.bc.ca>

List of drawings in this document, as of 30 September 2014:

TITLE	NOTES
Theatre – Plan	Plan view of the stage and auditorium
Theatre – Section	Section view of the stage and auditorium
Stage / House Masking	Entire stage with house masking hang
(Stage 1)	Basic drawing of playing space (for blocking, stage plots, etc.)
(Stage 2)	Basic drawing of playing space (with T-line for dance)
(Stage 3)	Basic drawing of playing space (vertical – for SM script)
(Stage 4)	Basic drawing of playing space (vertical – with T-line)
Dance floor – 1	Stage with house dance floor
Dance floor – 2	Stage with house dance floor, alternate set-up
Dance T-line, dimensions	Recommended for dance recitals

(List of drawings, continued)

TITLE	NOTES
Loading – Plan	Plan view of loading area and stage
Loading – Section	Cross-section through stage and loading area
Loading – Site	For your drivers
PA Rigging Points	Location of dead-hung points for rigging PA
Dressing rooms	Located one level below the stage
Catering set-up	Suggested configuration for green room hospitality
Full Orchestra Shell	Standard full-stage set-up (plan view)
3/4 Orchestra Shell	Hybrid set-up, for Pops concerts, etc. (plan view)
Full Shell – Section	Standard full-stage set-up (section view)
3/4 Shell – Section	Hybrid set-up, for Pops concerts, etc. (section view)
Orchestra Shell Towers	Details, dimensions, and normal storage configuration
Orchestra Pit	Details and dimensions of two configurations



NOTES:

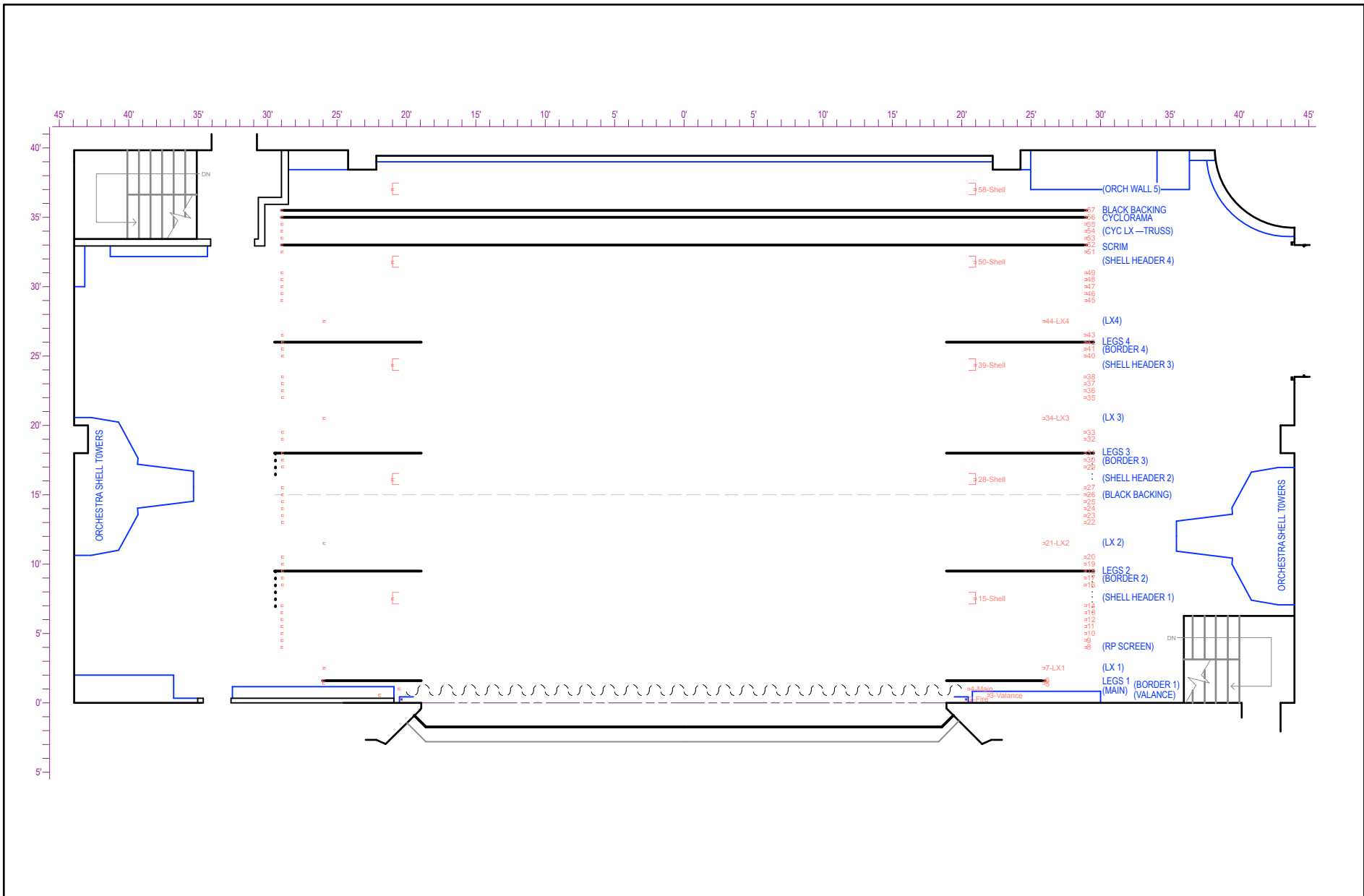
FOR A PDF DRAWING WITH BETTER RESOLUTION, DOWNLOAD THE MAIN PLAN/SECTION DRAWING, WHICH IS AT 1/4"=1' SCALE



VENUE: ROYAL THEATRE, VICTORIA BC

TITLE: THEATRE – PLAN

DRAWN BY: TH DATE: 30SEP14 PAPER SIZE: ANSI A (8.5 x 11) SCALE: 1/16"=1' REVISION: A



NOTES:

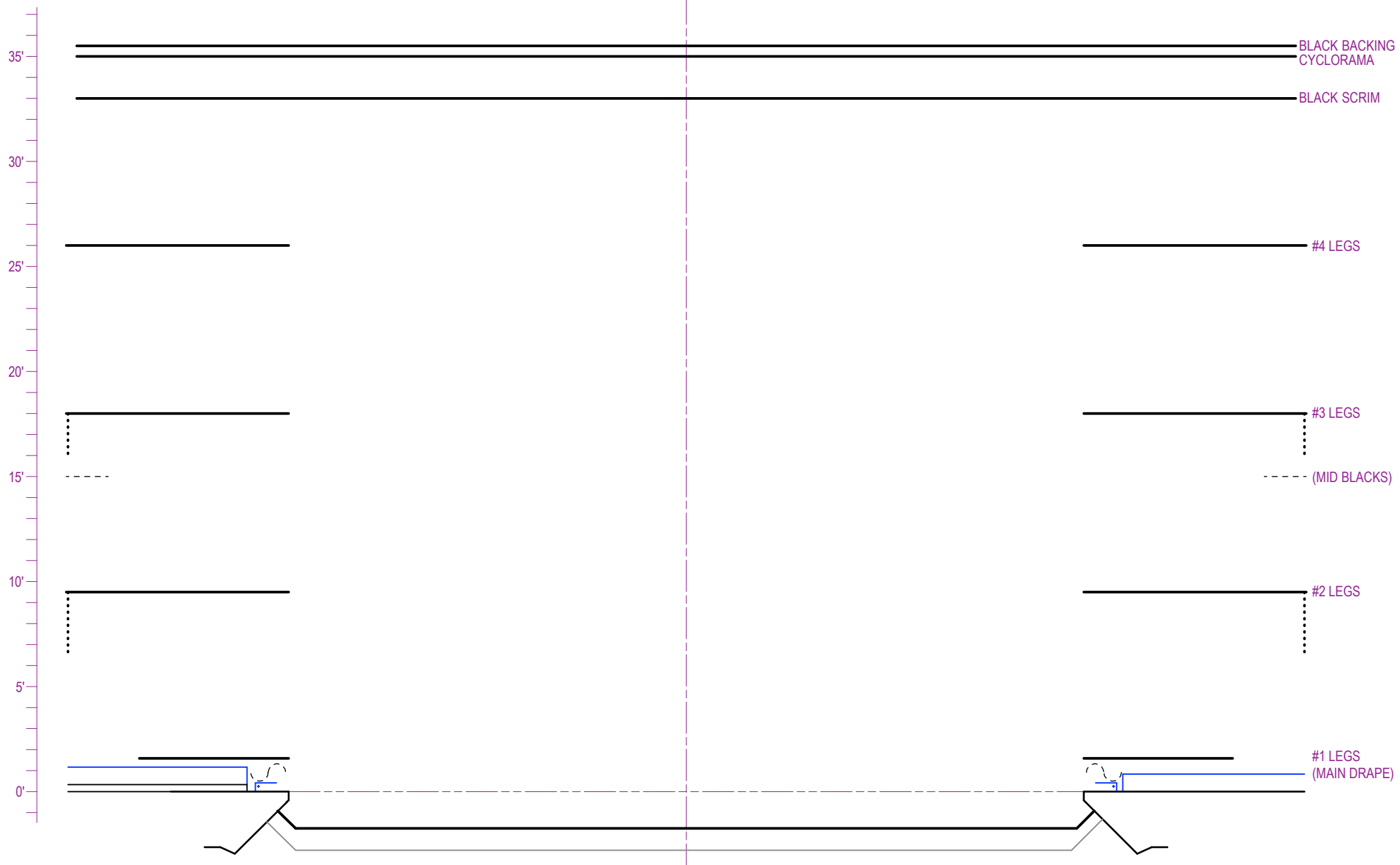


VENUE: ROYAL THEATRE, VICTORIA BC

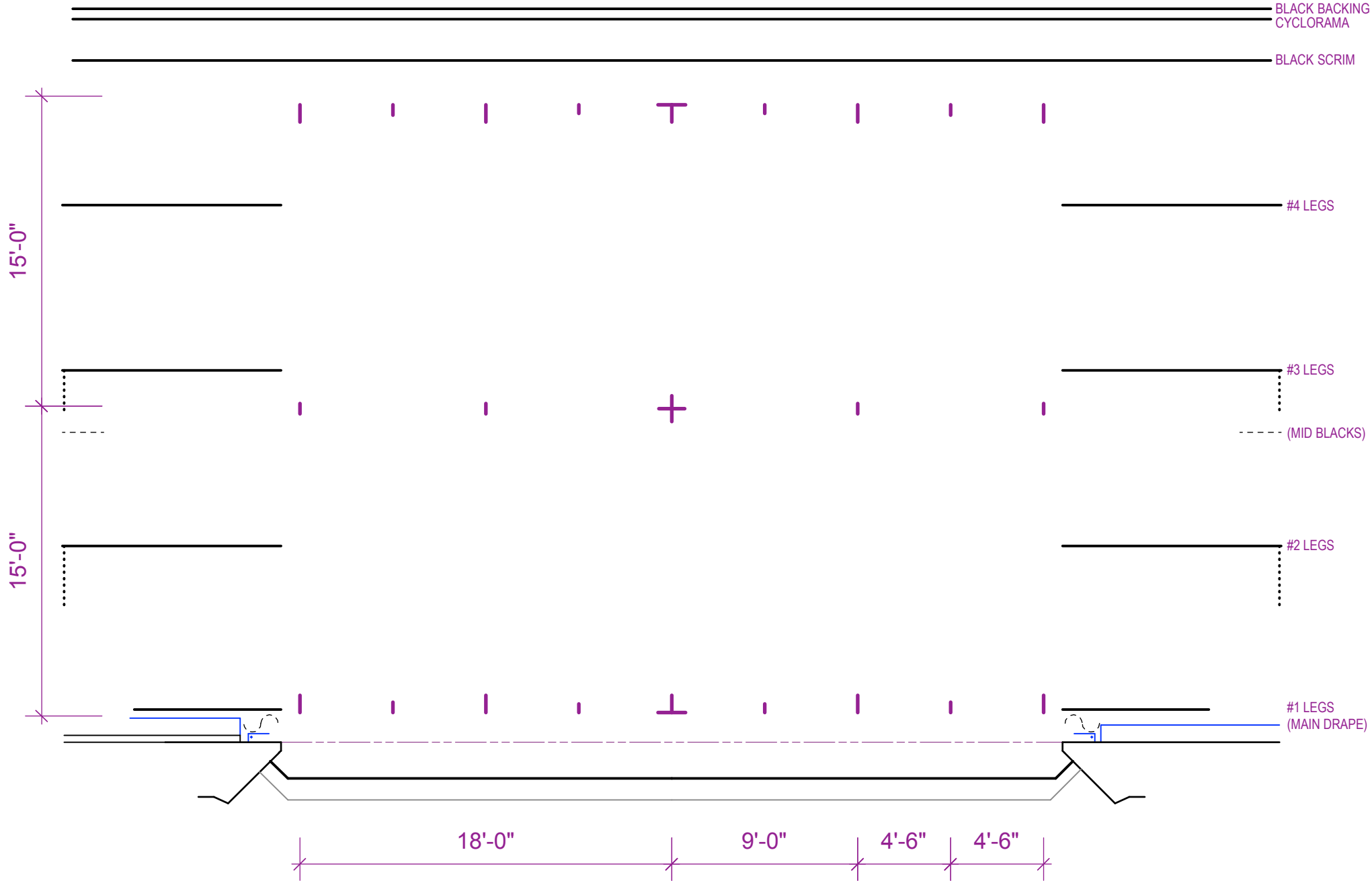
TITLE: **STAGE / HOUSE MASKING**

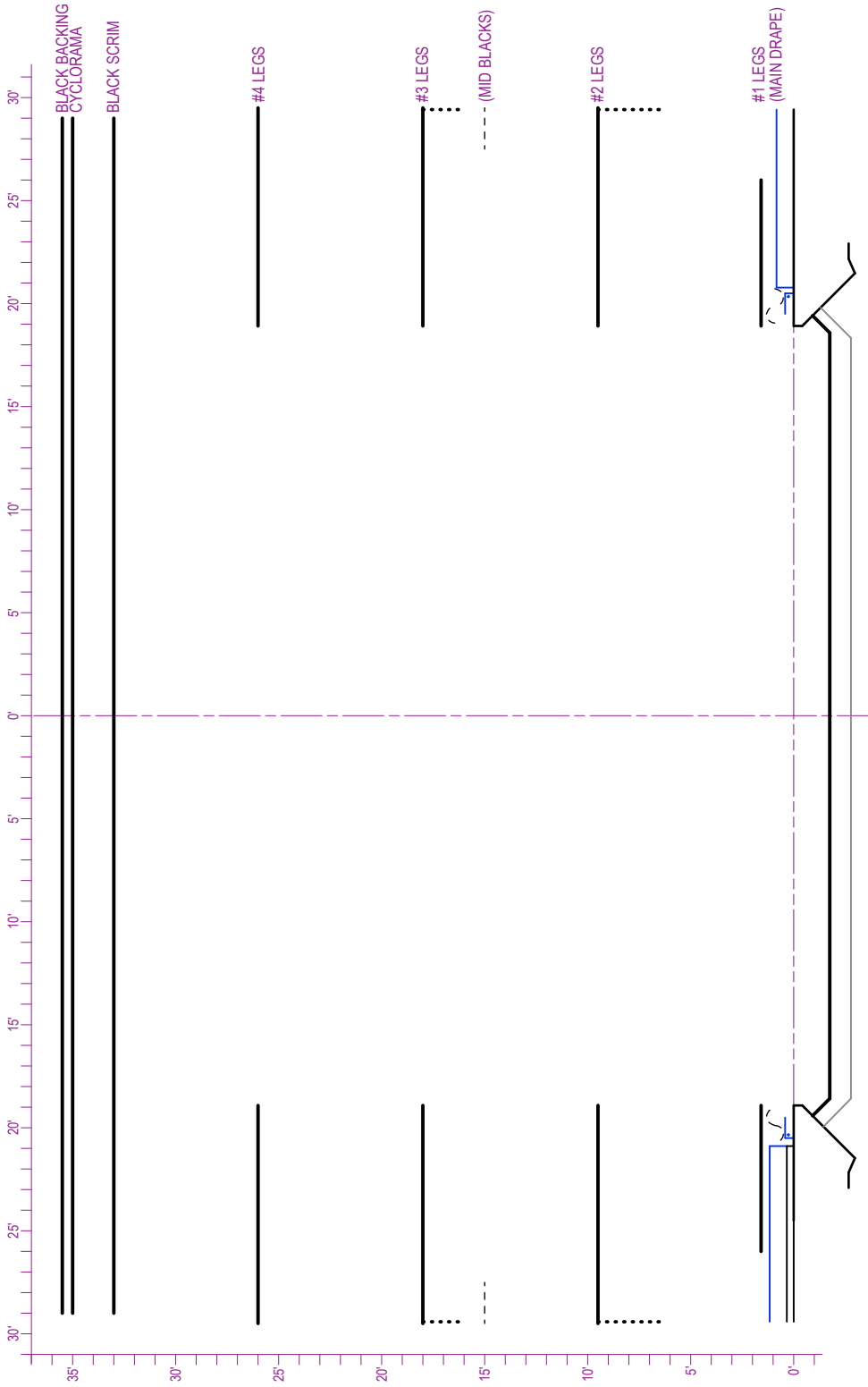
DRAWN BY: TH DATE: 30SEP14 PAPER SIZE: ANSI A (8.5 x 11) SCALE: 1"=10' REVISION: A

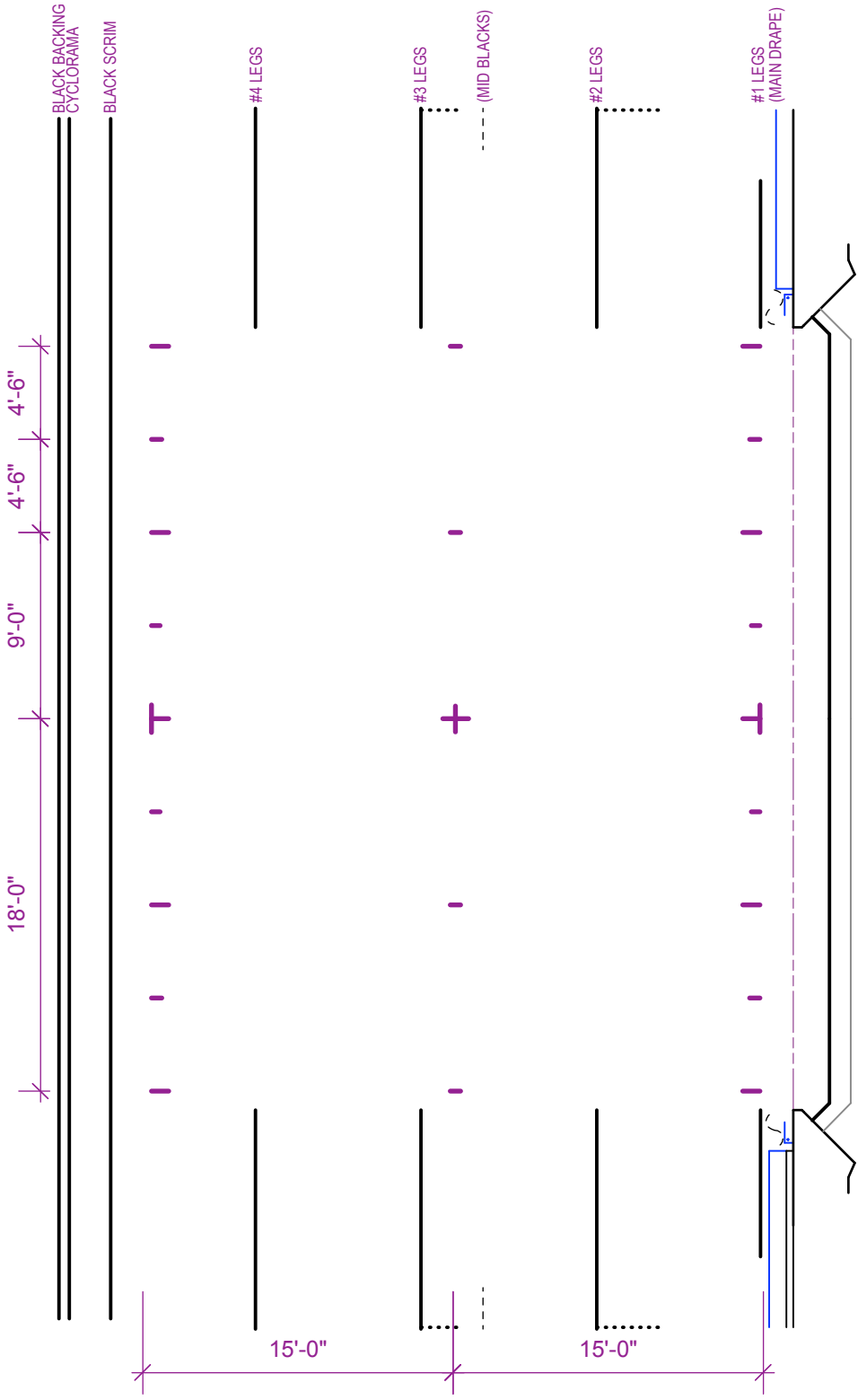
30' 25' 20' 15' 10' 5' 0' 5' 10' 15' 20' 25' 30'

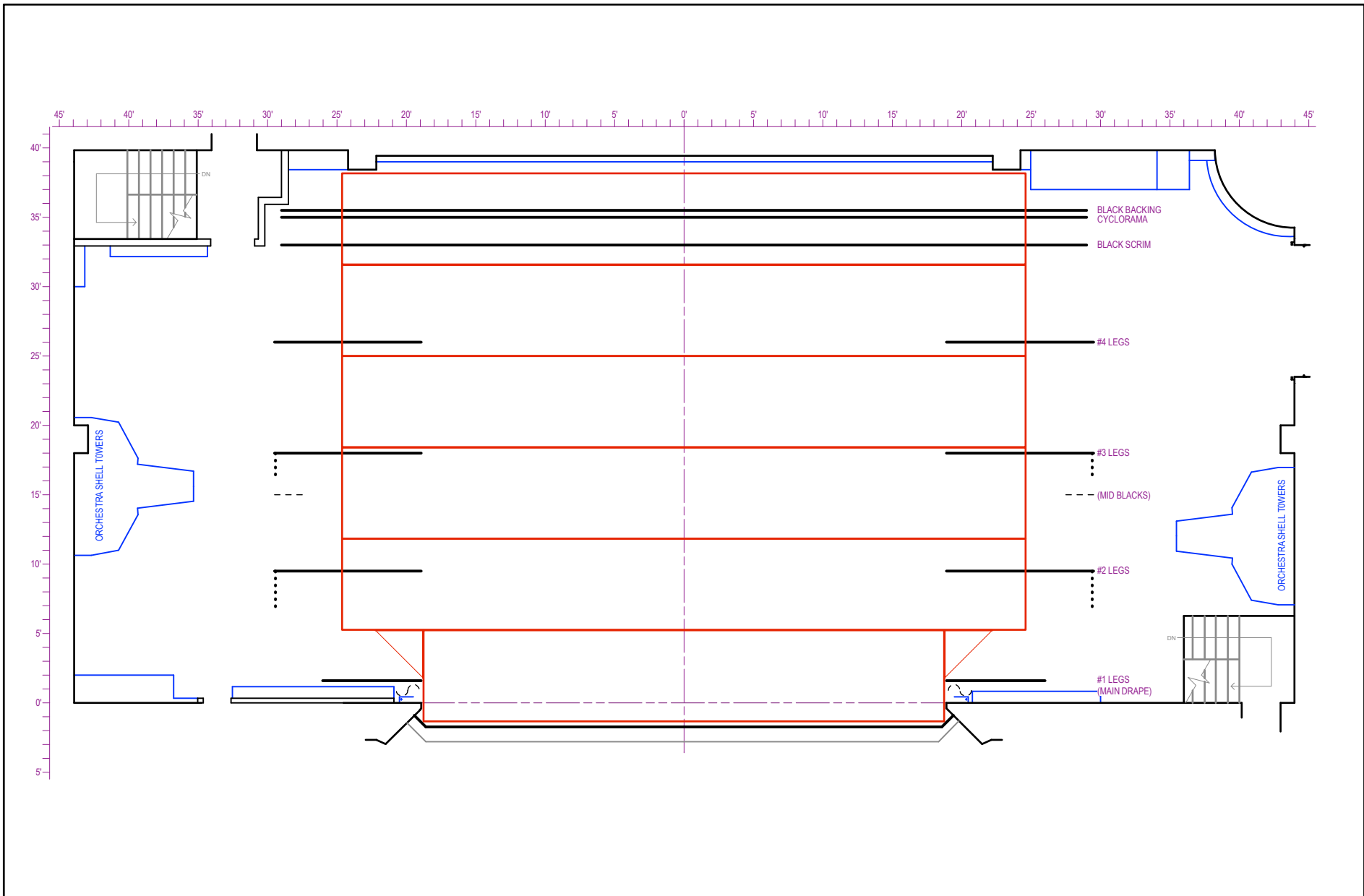


SUGGESTED T-LINE MEASUREMENTS FOR DANCE
PLAYING SPACE – APPROX. 36' WIDE X 30' DEEP









NOTES:

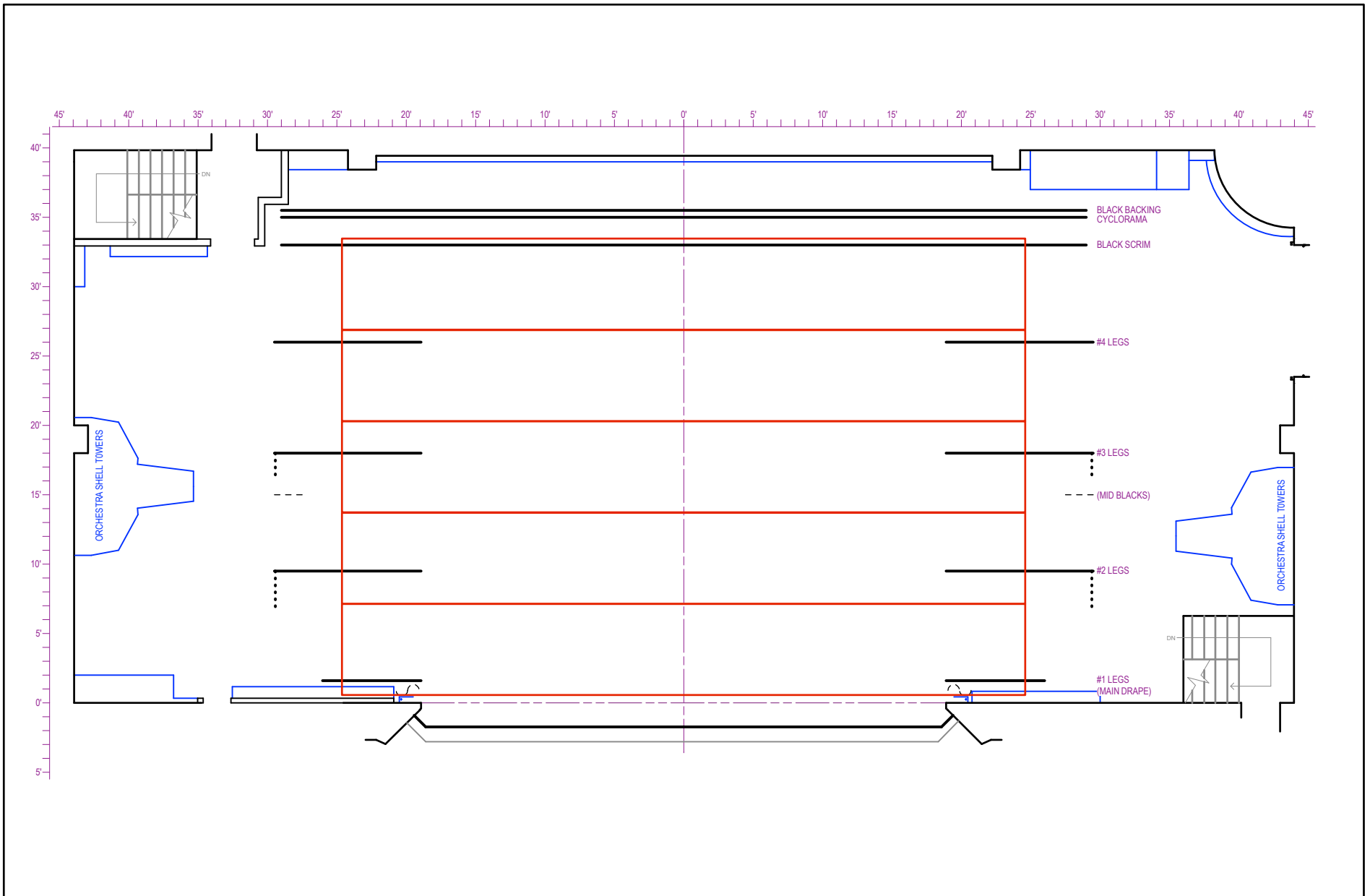
DANCE FLOOR IS HARLEQUIN 'CASCADE'
 PANELS ARE APPROXIMATELY 2M X 15M (6'-7" X 49'-3")



VENUE: ROYAL THEATRE, VICTORIA BC

TITLE: DANCE FLOOR – 1

DRAWN BY: TH DATE: 30SEP14 PAPER SIZE: ANSI A (8.5 x 11) SCALE: 1"=10' REVISION: A



NOTES:

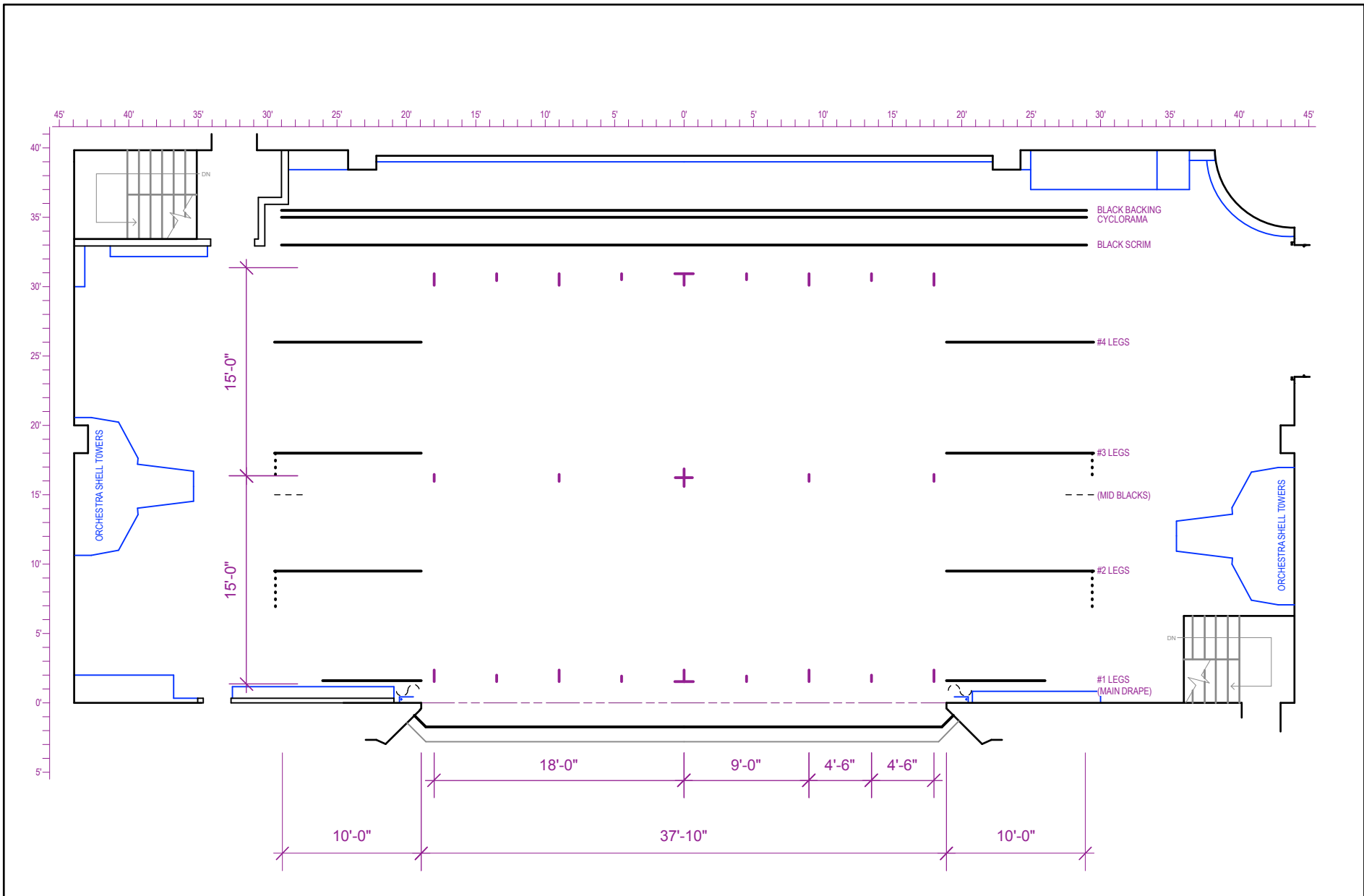
DANCE FLOOR IS HARLEQUIN 'CASCADE'
 PANELS ARE APPROXIMATELY 2M X 15M (6'-7" X 49'-3")



VENUE: ROYAL THEATRE, VICTORIA BC

TITLE: DANCE FLOOR – 2

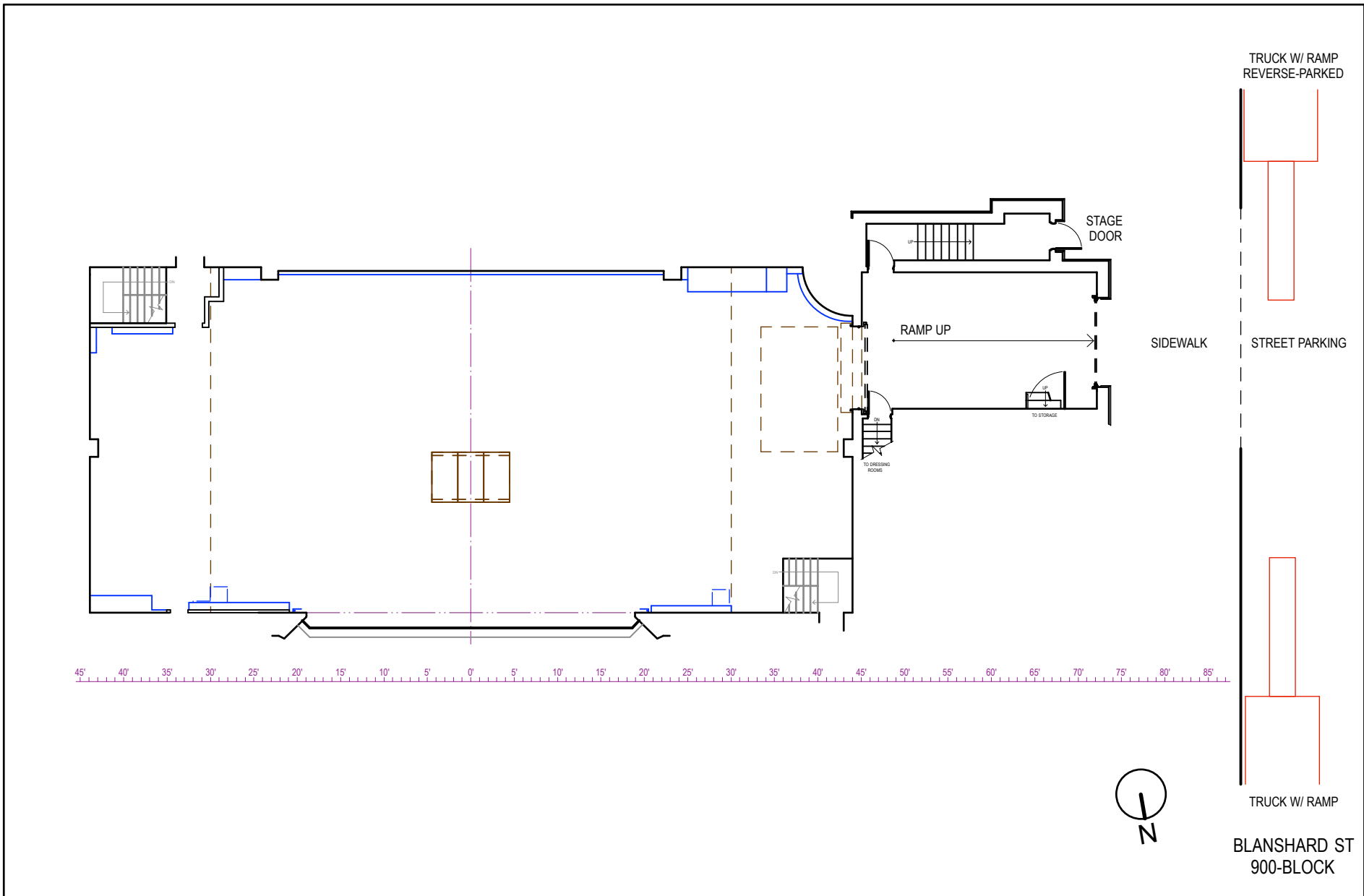
DRAWN BY: TH DATE: 30SEP14 PAPER SIZE: ANSI A (8.5 x 11) SCALE: 1"=10' REVISION: A



NOTES:
 T-LINE DIMENSIONS SHOWN ARE SUGGESTIONS ONLY.
 USE OF THE UPSTAGE CROSSOVER IS DISCOURAGED.
 PLEASE AVOID BLOCKING DANCERS NEAR SCRIM AND CYC.



VENUE: ROYAL THEATRE, VICTORIA BC
 TITLE: DANCE T-LINE & DIMENSIONS
 DRAWN BY: TH DATE: 30SEP14 PAPER SIZE: ANSI A (8.5 x 11) SCALE: 1"=10' REVISION: A



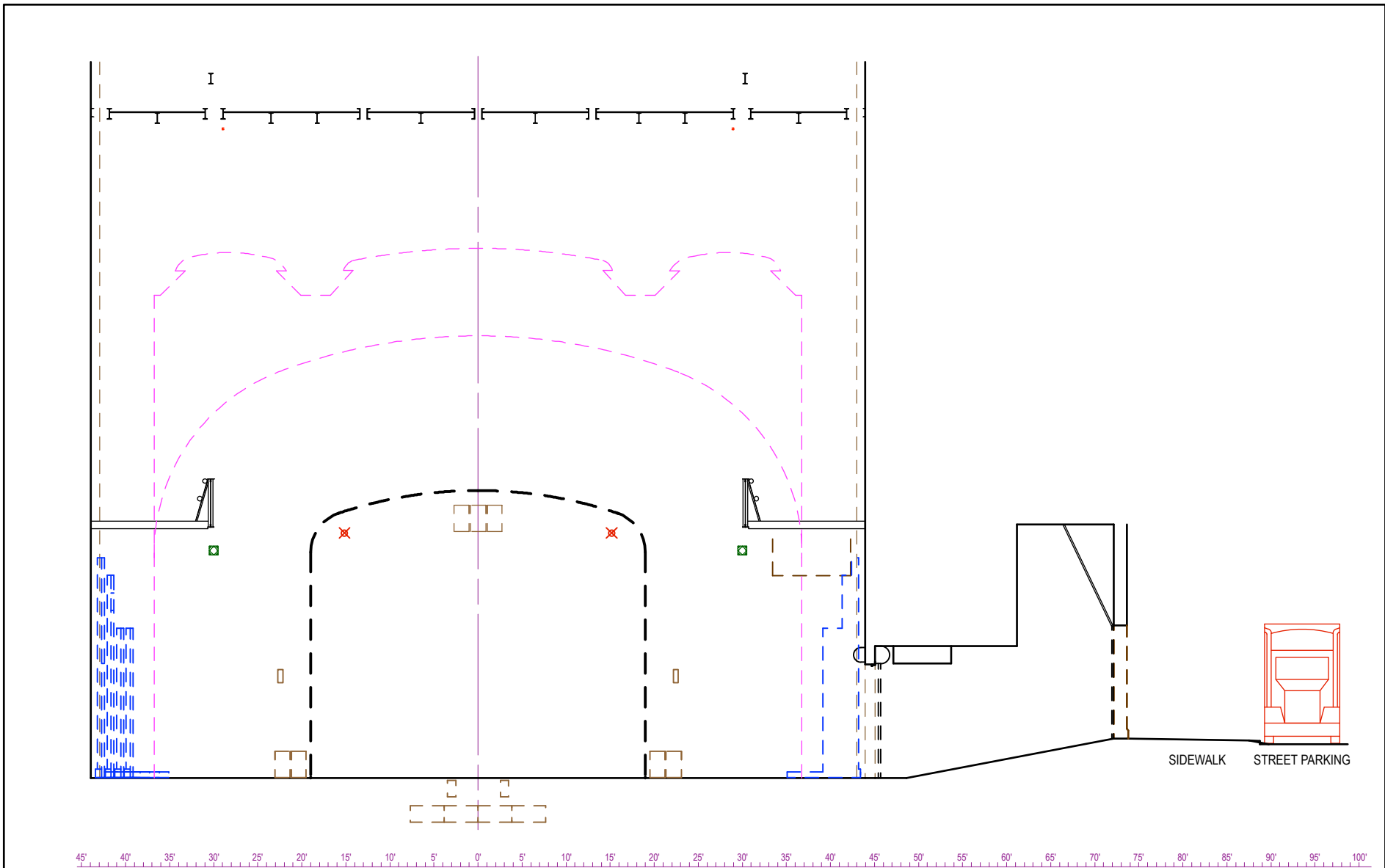
NOTES:



VENUE: ROYAL THEATRE, VICTORIA BC

TITLE: **LOADING – PLAN**

DRAWN BY: TH DATE: 30SEP14 PAPER SIZE: ANSI A (8.5 x 11) SCALE: 1/16"=1' REVISION: A



NOTES:



VENUE:

ROYAL THEATRE, VICTORIA BC

TITLE:

LOADING – SECTION

DRAWN BY:

TH

DATE:

30SEP14

PAPER SIZE:

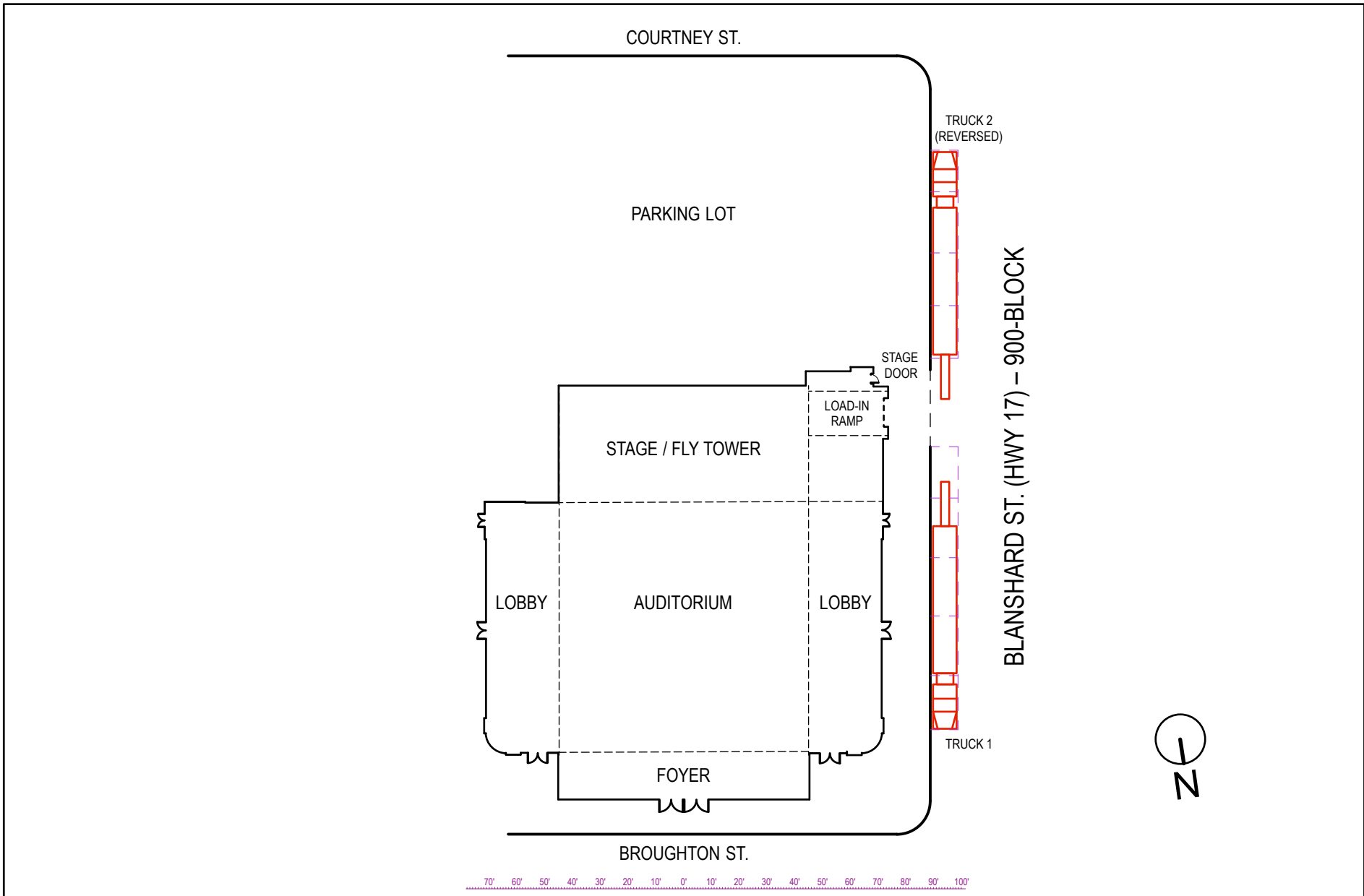
ANSI A (8.5 x 11)

SCALE:

1/16"=1'

REVISION:

A



NOTES:

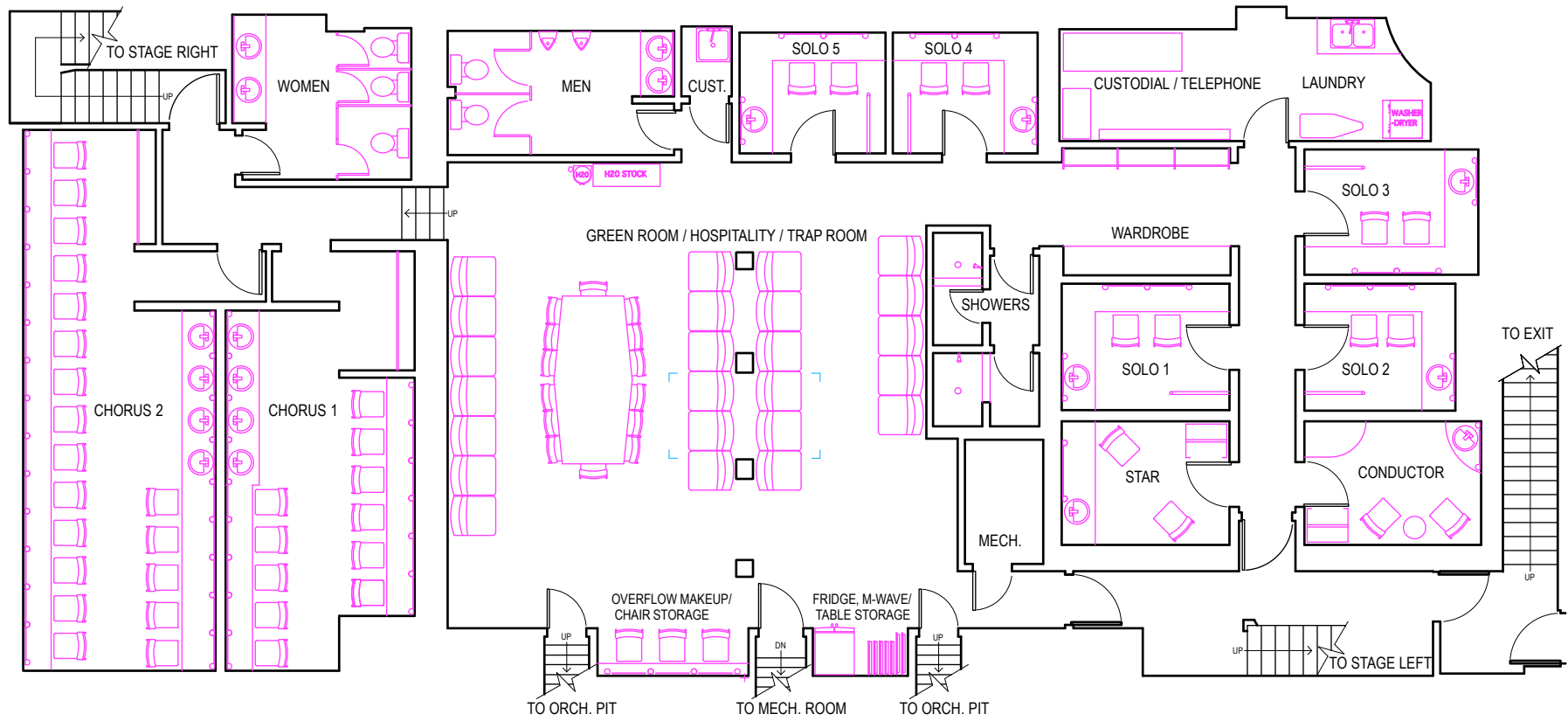
PERMITS REQUIRED – CONTACT VENUE WELL IN ADVANCE TO ARRANGE.
 SHOWN IS RECOMMENDED ARRANGEMENT FOR UNLOADING TWO SEMI-TRAILERS AT ONCE.
 SUBSTITUTE BUSES AND OTHER VEHICLES TO SUIT – 9 SPACES MAX. ON BLANSHARD.
 SPECIAL PERMIT IS REQUIRED FOR REVERSE-PARKING – PLEASE ADVISE VENUE.



VENUE: ROYAL THEATRE, VICTORIA BC

TITLE: **LOADING – SITE**

DRAWN BY: TH DATE: 30SEP14 PAPER SIZE: ANSI A (8.5 x 11) SCALE: 1" = 50' REVISION: A



NOTES:



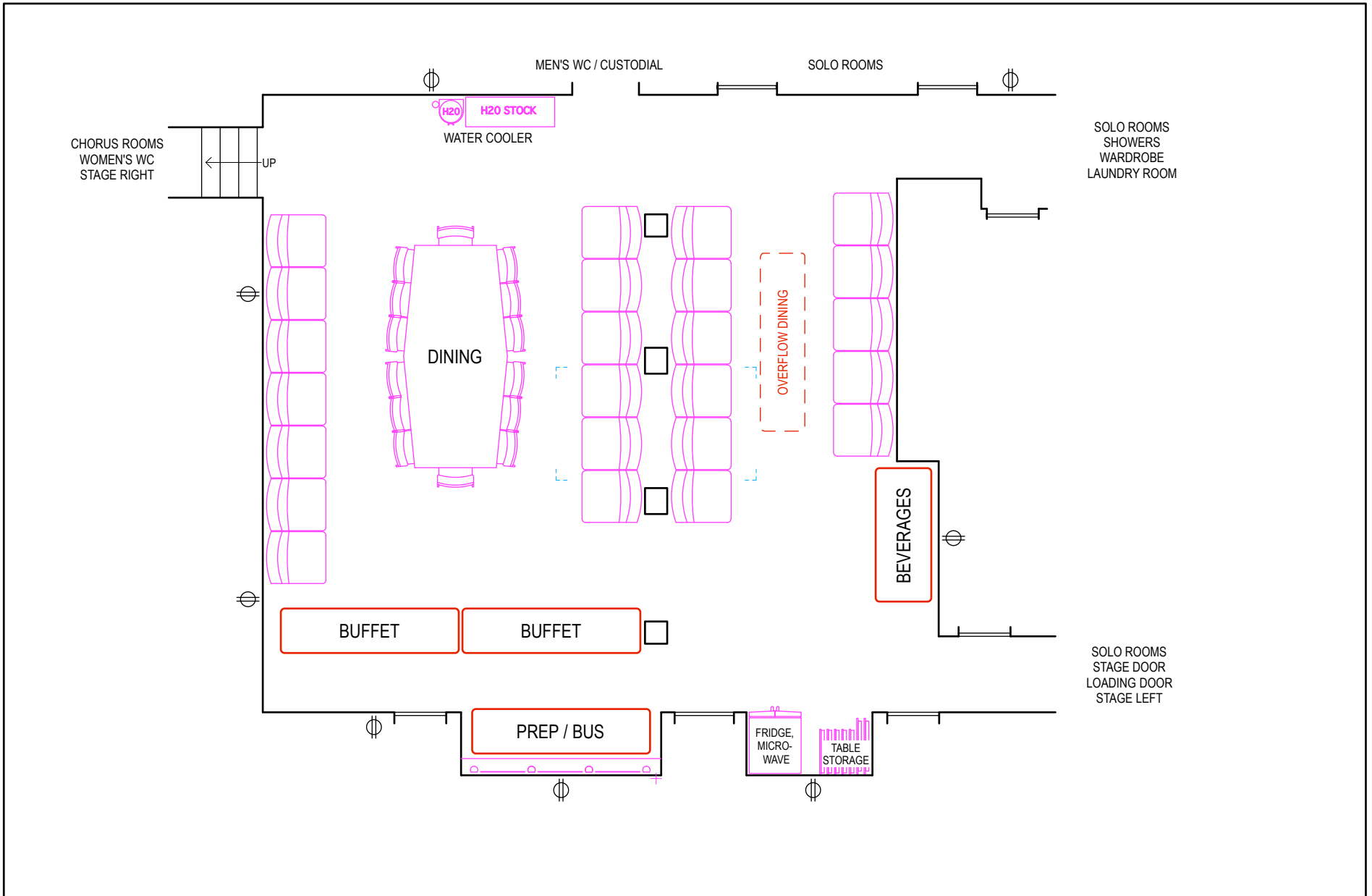
VENUE:

ROYAL THEATRE, VICTORIA BC

TITLE:

DRESSING ROOMS

DRAWN BY: TH DATE: 30SEP14 PAPER SIZE: ANSI A (8.5 x 11) SCALE: 1"=10' REVISION: A



NOTES:

SUGGESTED ARRANGEMENT OF GREEN ROOM FOR CATERED MEAL SERVICE

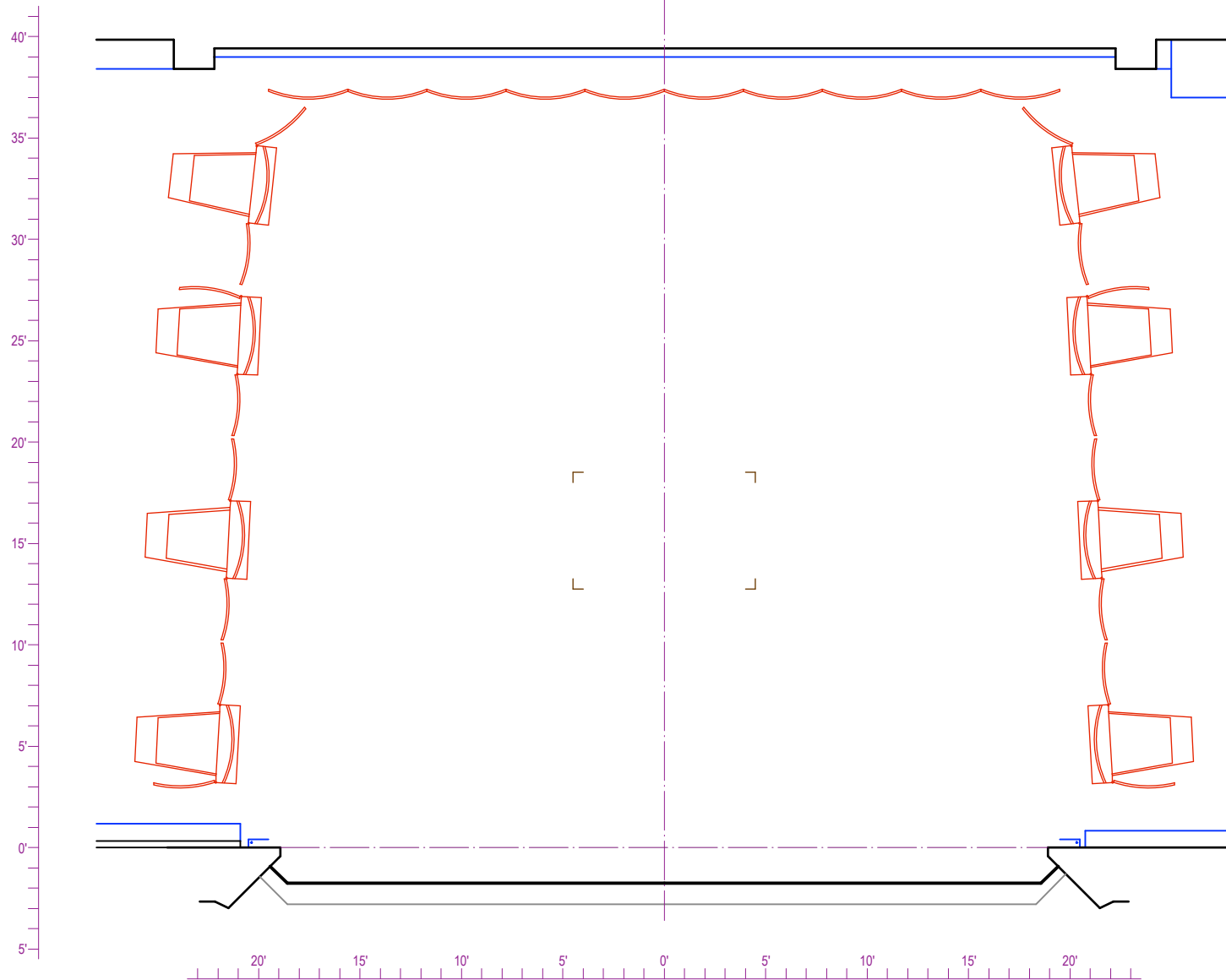
AVAILABLE FURNITURE:
 16 – ARMLESS CHAIRS (PLUS DRESSING ROOM CHAIRS AS AVAILABLE)
 1 – 10' DINING TABLE
 5 – 8' FOLDING TABLES
 1 – 5' FOLDING TABLE
 1 – 6' FOLDING TABLE
 SECTIONAL COUCHES AS SHOWN



VENUE: ROYAL THEATRE, VICTORIA BC

TITLE: GREEN ROOM – CATERING SET-UP

DRAWN BY: TH DATE: 30SEP14 PAPER SIZE: ANSI A (8.5 x 11) SCALE: 1:75 REVISION: A



NOTES:

TOWER POSITIONS MAY VARY SLIGHTLY, TO SUIT
ENSEMBLE SIZE AND CONFIGURATION



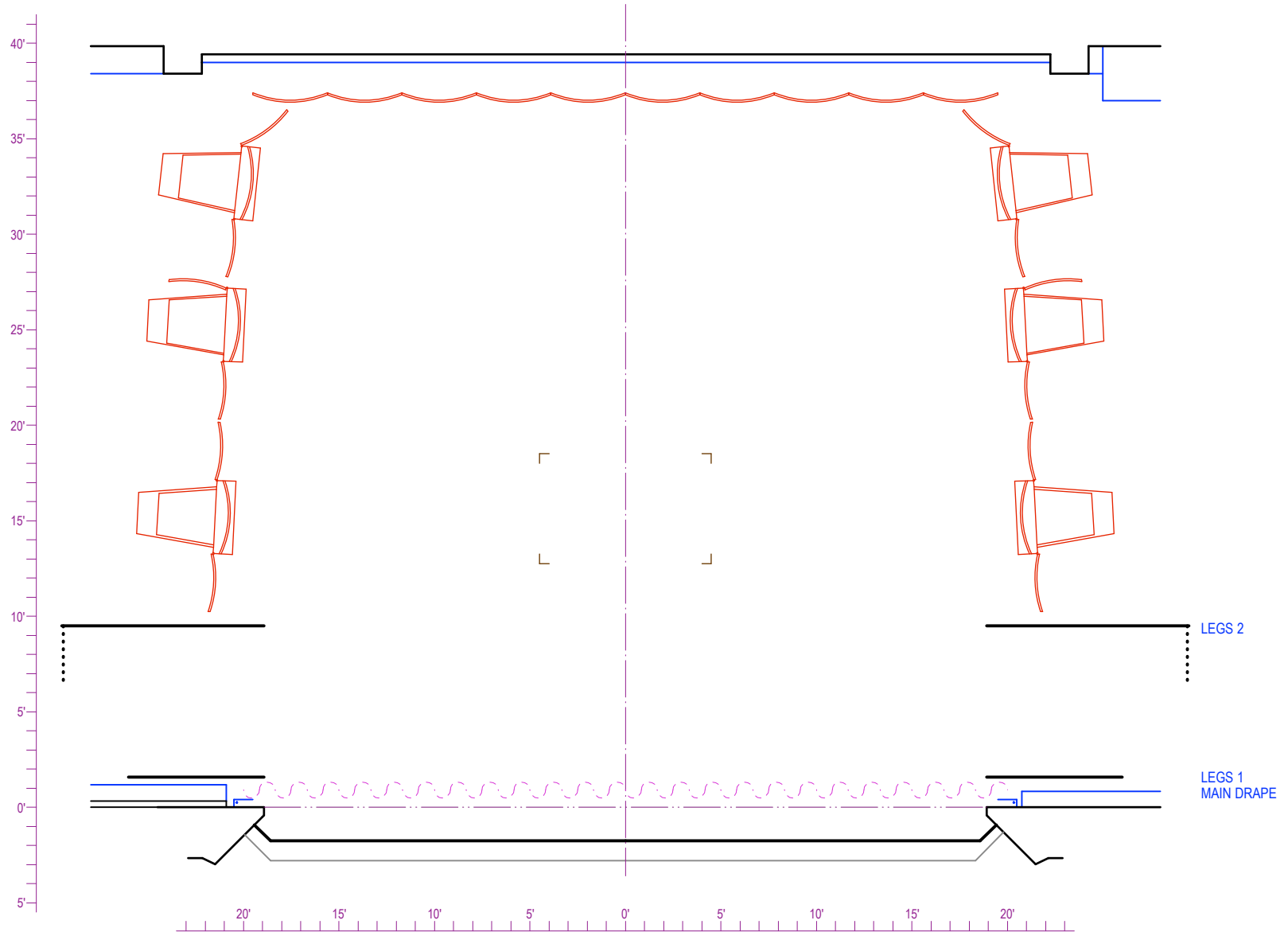
VENUE:

ROYAL THEATRE, VICTORIA BC

TITLE:

FULL ORCHESTRA SHELL

DRAWN BY: TH DATE: 30SEP14 PAPER SIZE: ANSI A (8.5 x 11) SCALE: 1/8"=1' REVISION: A



NOTES:

TOWER POSITIONS MAY VARY SLIGHTLY, TO SUIT ENSEMBLE SIZE AND CONFIGURATION



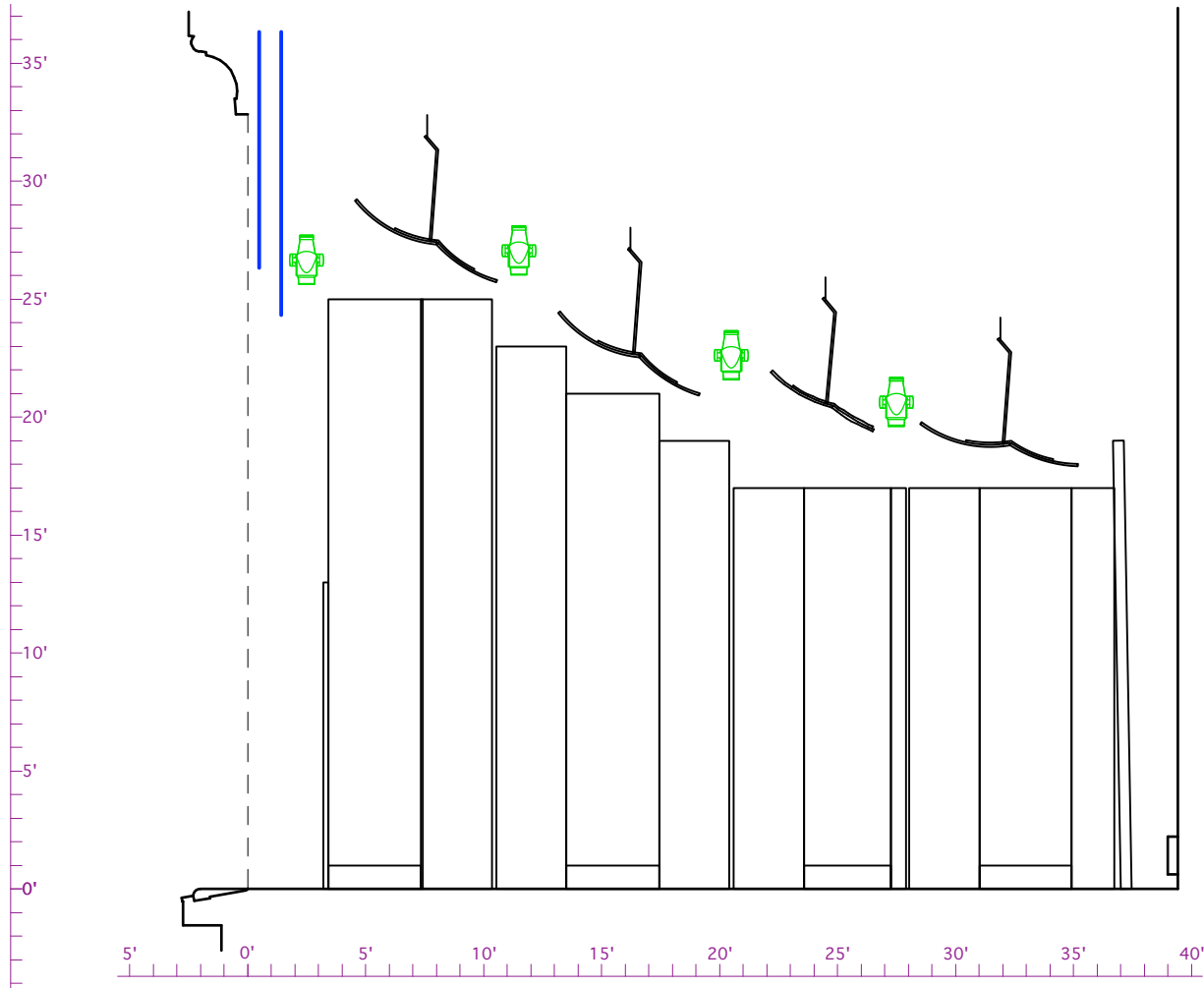
VENUE:

ROYAL THEATRE, VICTORIA BC

TITLE:

3/4 ORCHESTRA SHELL

DRAWN BY: TH DATE: 30SEP14 PAPER SIZE: ANSI A (8.5 x 11) SCALE: 1/8"=1' REVISION: A



NOTES:

TOWER POSITIONS MAY VARY SLIGHTLY, TO SUIT ENSEMBLE SIZE AND CONFIGURATION



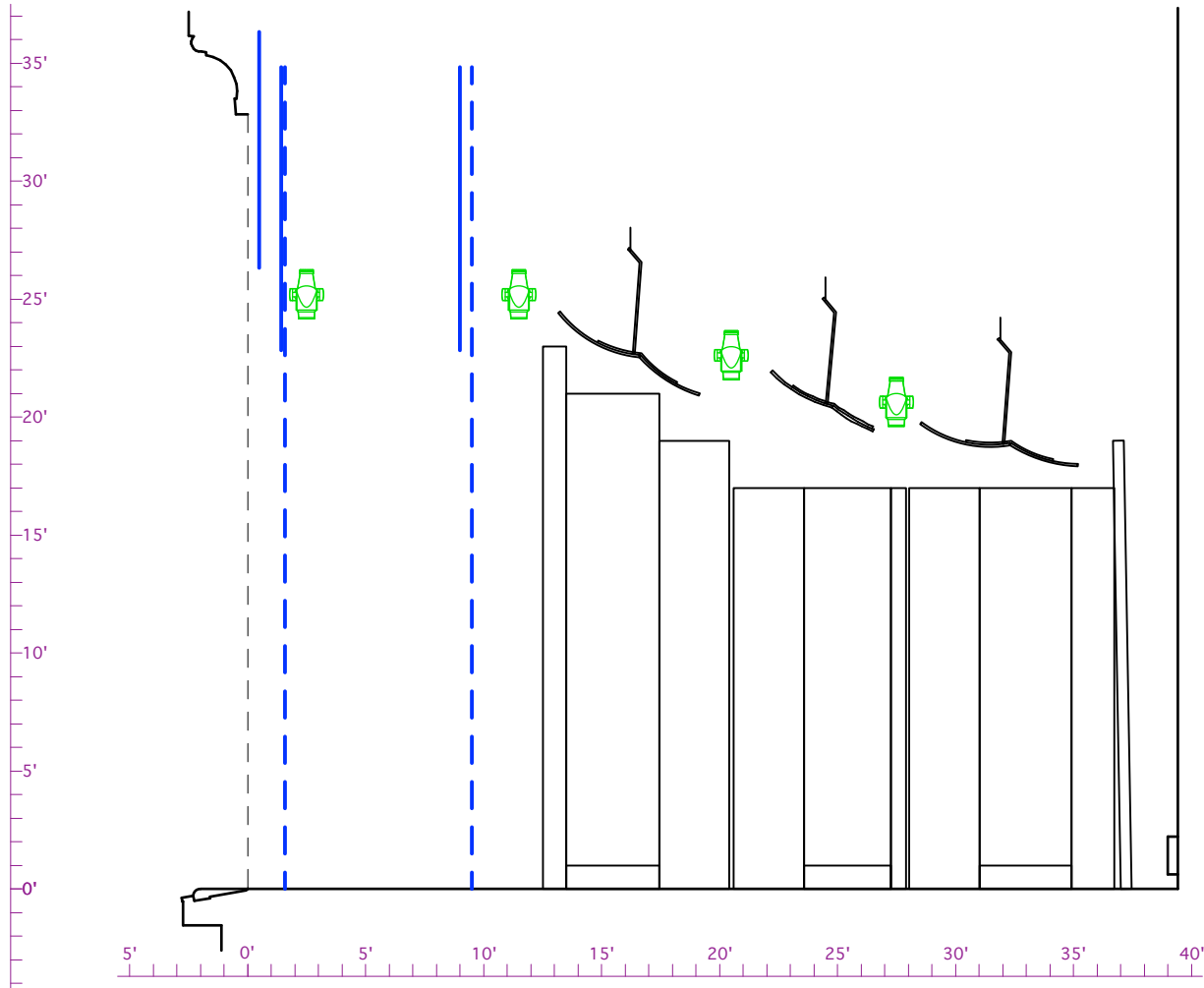
VENUE:

ROYAL THEATRE, VICTORIA BC

TITLE:

FULL SHELL – SECTION

DRAWN BY: TH DATE: 30SEP14 PAPER SIZE: ANSI A (8.5 x 11) SCALE: 1/8"=1' REVISION: A



NOTES:

TOWER POSITIONS MAY VARY SLIGHTLY, TO SUIT ENSEMBLE SIZE AND CONFIGURATION



VENUE:

ROYAL THEATRE, VICTORIA BC

TITLE:

3/4 SHELL – SECTION

DRAWN BY:

TH

DATE:

30SEP14

PAPER SIZE:

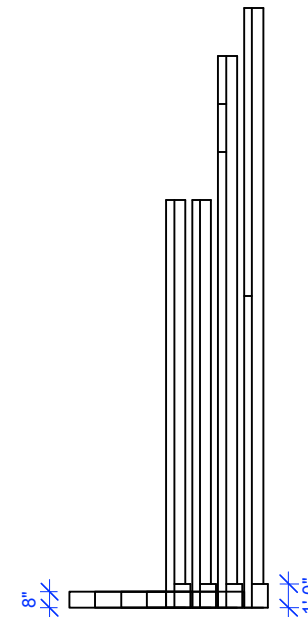
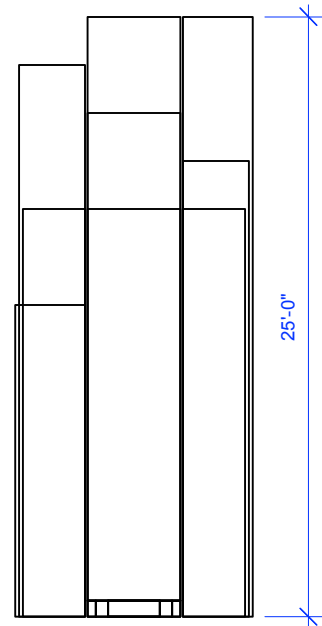
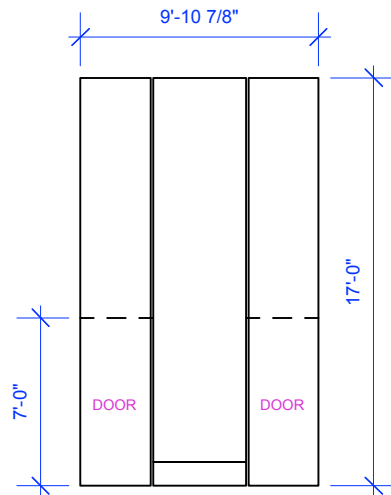
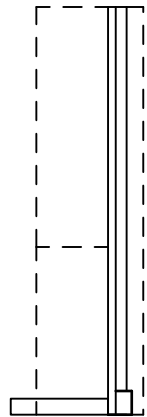
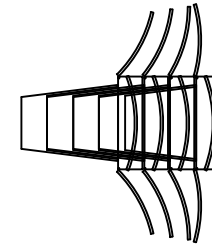
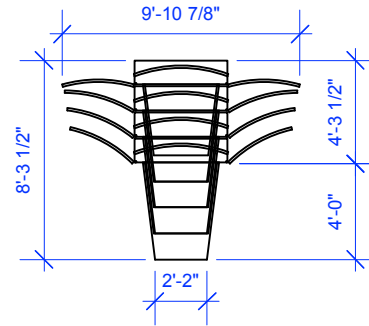
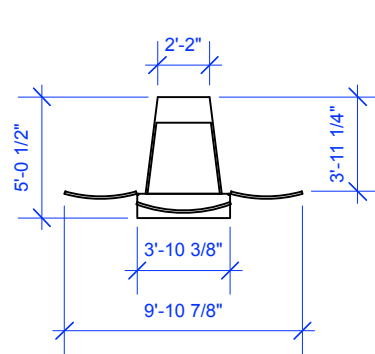
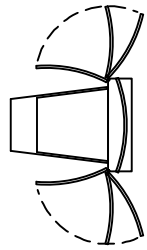
ANSI A (8.5 x 11)

SCALE:

1/8"=1'

REVISION:

A



SINGLE - SIDE

SINGLE - FRONT

STACK OF 4 - REAR

STACK OF 4 - SIDE

NOTES:

EIGHT TOWERS IN TOTAL, VARYING FROM 17' TO 25' IN HEIGHT.
TOWERS NORMALLY STORE IN TWO STACKS OF FOUR, WITH ONE STACK IN EACH WING.
SEE STAGE PLAN FOR NORMAL STORAGE LOCATIONS.



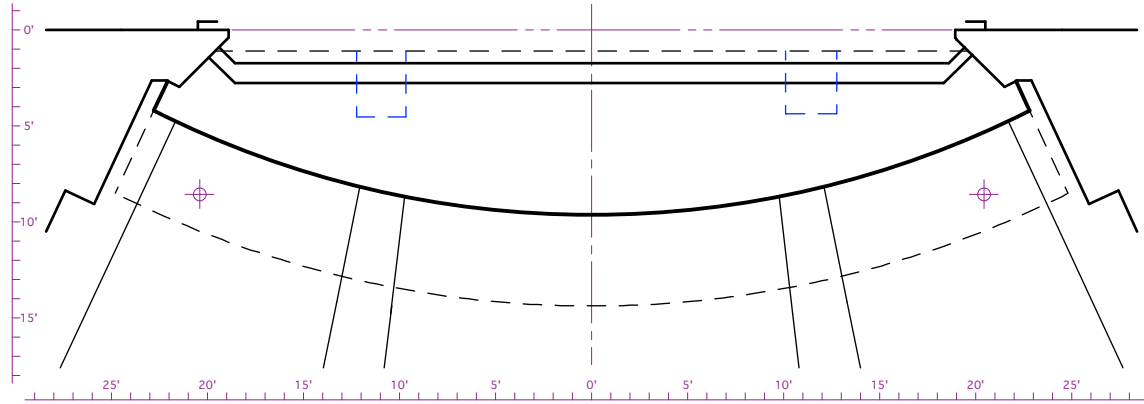
VENUE:

ROYAL THEATRE, VICTORIA BC

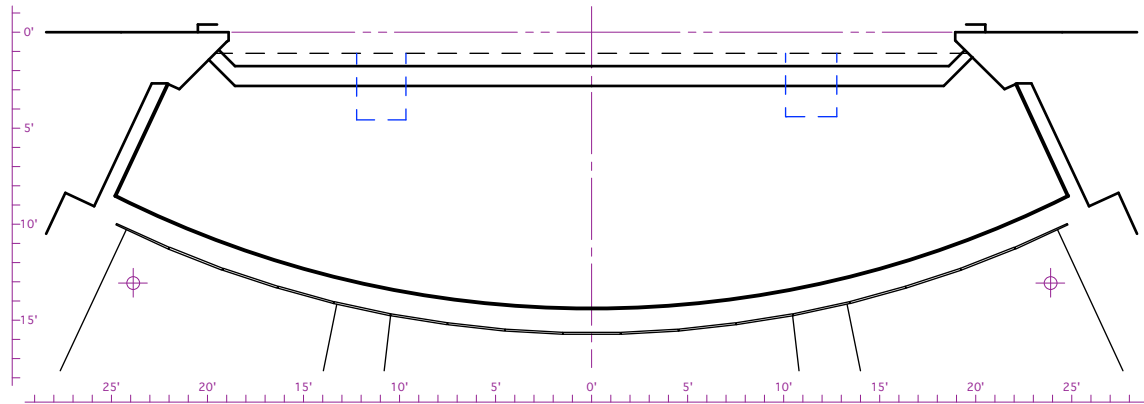
TITLE:

ORCHESTRA SHELL TOWERS

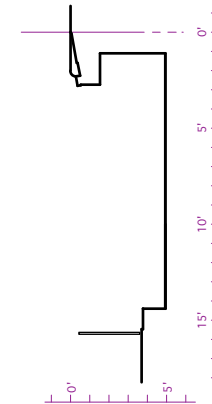
DRAWN BY: TH DATE: 30SEP14 PAPER SIZE: ANSI A (8.5 x 11) SCALE: 1/8"=1' REVISION: A



SMALL PIT (NORMAL CONFIGURATION)



LARGE PIT (TWO SEATING ROWS AND RISERS REMOVED)



NOTES:

CONTACT THEATRE WELL IN ADVANCE IF ORCHESTRA PIT IS TO BE USED IN EITHER CONFIGURATION.



VENUE:

ROYAL THEATRE, VICTORIA BC

TITLE:

ORCHESTRA PIT

DRAWN BY:

TH

DATE:

30SEP14

PAPER SIZE:

ANSI A (8.5 x 11)

SCALE:

1"=10'

REVISION:

A